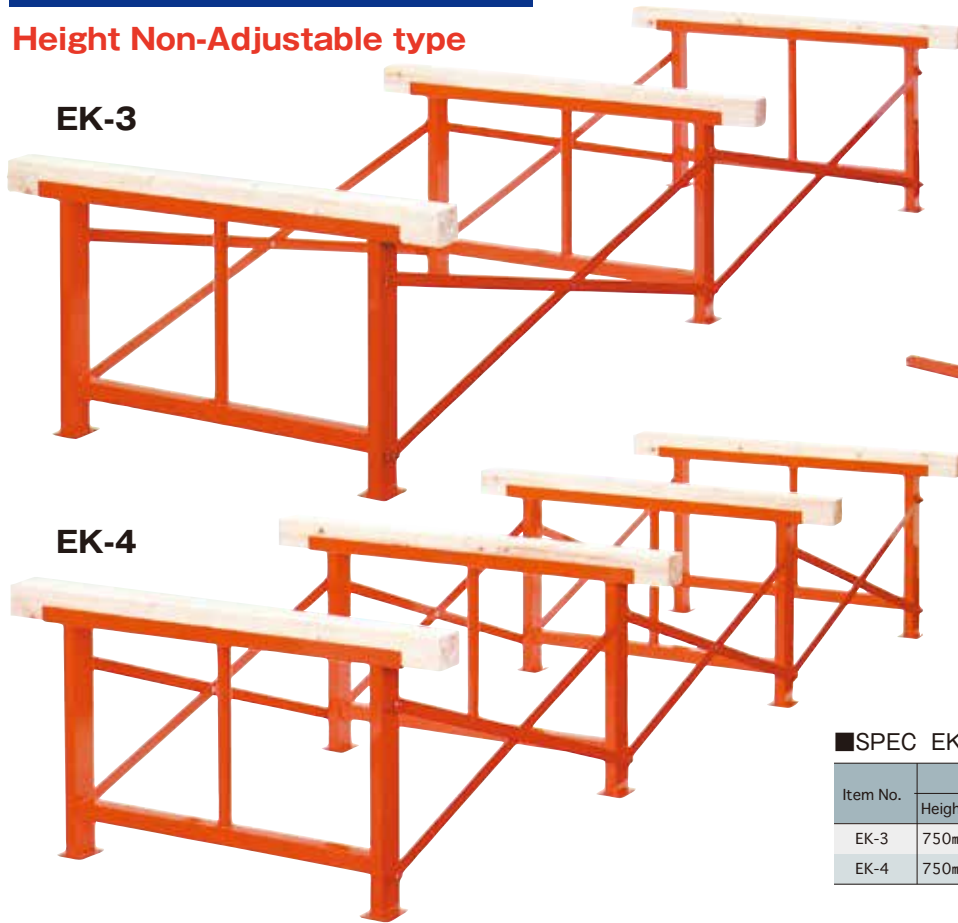


Working Stand for Rebar

EK-3 EK-4 EJK-3 EJK-4

Working stand for reinforcement processing
 Low cost
 Easy · Flexible arrangement

Height Non-Adjustable type



10 min to assemble.
 All types have timber attached.
 Using 90mm × 90mm timber.
 ※ We also have elastic material.



EK-3

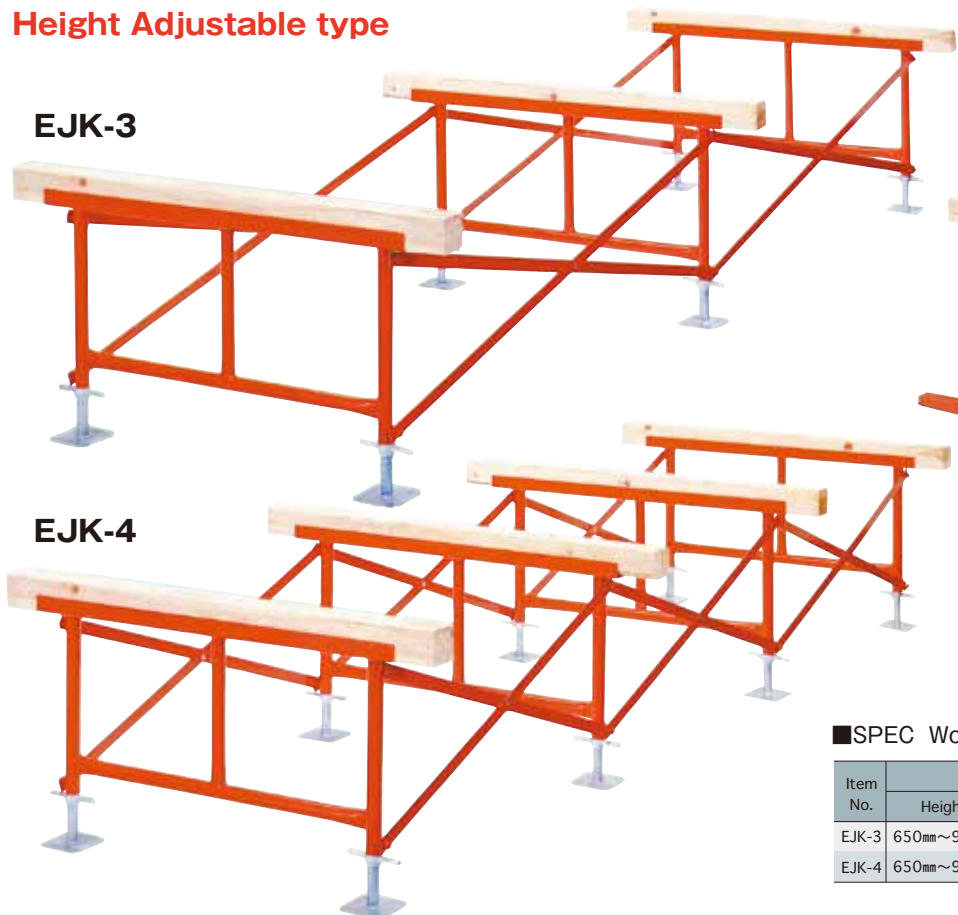
EK-4

Suitable for factory use
 · Low cost
 · Long lasting
 · Easy to setup
 · Less weight to carry because of light steel frame

■SPEC EK

| Item No. | Size | | | Weight | Max. Load |
|----------|--------|-------------|--------|--------|-----------|
| | Height | Width | Length | | |
| EK-3 | 750mm | 1200~1440mm | 3600mm | 80kg | 3t |
| EK-4 | 750mm | 1200~1440mm | 3600mm | 100kg | 5t |

Height Adjustable type



EJK-3

EJK-4

Suitable for construction site use
 · Adjustable height
 · Effective on uneven ground
 · Jack attached

■SPEC Working stand for Rebar

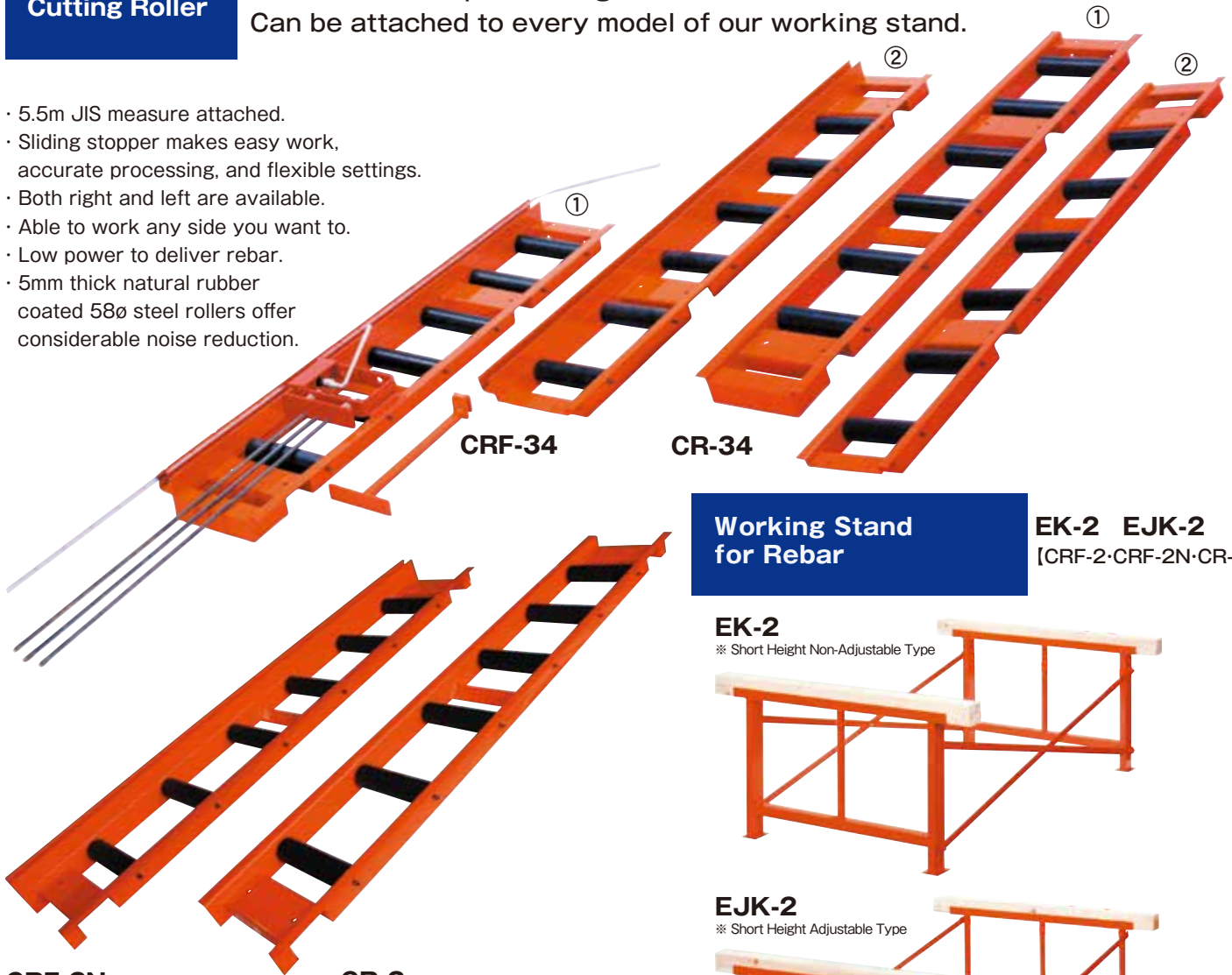
| Item No. | Size | | | Weight | Max. Load |
|----------|-------------|---------------|--------|--------|-----------|
| | Height | Width | Length | | |
| EJK-3 | 650mm~950mm | 1200mm~1440mm | 3600mm | 95kg | 3t |
| EJK-4 | 650mm~950mm | 1200mm~1440mm | 3600mm | 120kg | 5t |

Cutting Roller

Roller for rebar processing.

Can be attached to every model of our working stand.

- 5.5m JIS measure attached.
- Sliding stopper makes easy work, accurate processing, and flexible settings.
- Both right and left are available.
- Able to work any side you want to.
- Low power to deliver rebar.
- 5mm thick natural rubber coated 58φ steel rollers offer considerable noise reduction.



CRF-2N

※ For EK-2 EJK-2

CR-2

※ For EK-2 EJK-2

Working Stand for Rebar

EK-2 EJK-2

[CRF-2·CRF-2N·CR-2]

EK-2

※ Short Height Non-Adjustable Type

EJK-2

※ Short Height Adjustable Type

■SPEC Cutting Roller

| Item No. | Stopper | Size | | | | | Length | Weight | Max. Load |
|----------|---------|--------|-------|----------|-------|--------|---------|--------|-----------|
| | | Roller | | | Frame | | | | |
| | | Width | Pitch | Diameter | Width | Height | | | |
| CRF-34 | ○ | 250mm | 300mm | 68φ | 250mm | 125mm | ①2m+②2m | 75kg | 1500kg |
| CRF-34N | — | 250mm | 300mm | 68φ | 250mm | 125mm | ①2m+②2m | 73kg | 1500kg |
| CR-34 | — | 250mm | 300mm | 68φ | 250mm | 77mm | ①2m+②2m | 50kg | 1500kg |
| CRF-2 | ○ | 250mm | 300mm | 68φ | 250mm | 125mm | 2m | 32kg | 1000kg |
| CRF-2N | — | 250mm | 300mm | 68φ | 250mm | 125mm | 2m | 30kg | 1000kg |
| CR-2 | — | 250mm | 300mm | 68φ | 250mm | 77mm | 2m | 25kg | 1000kg |

■SPEC Working Stand for Rebar

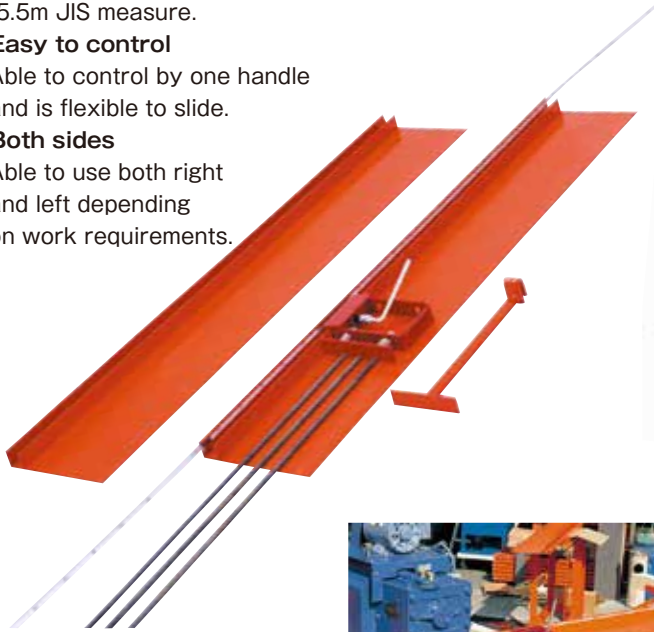
| Item No. | Size | | | Weight | Max. Load |
|----------|-------------|---------------|--------|--------|-----------|
| | Height | Width | Length | | |
| EK-2 | 750mm | 1200mm~1440mm | 1800mm | 65kg | 2000kg |
| EJK-2 | 650mm~950mm | 1200mm~1440mm | 1800mm | 70kg | 2000kg |



Cutting Stopper

CSS-2

- **Easy to set up**
One-touch setup is available to any working stand.
- **Measure attached**
5.5m JIS measure.
- **Easy to control**
Able to control by one handle and is flexible to slide.
- **Both sides**
Able to use both right and left depending on work requirements.



■SPEC Cutting Stopper

| Item No. | Size | | | Weight |
|----------|-------|--------|----------|--------|
| | Width | Height | Length | |
| CSS-2 | 350mm | 50mm | 4m(2m×2) | 50kg |

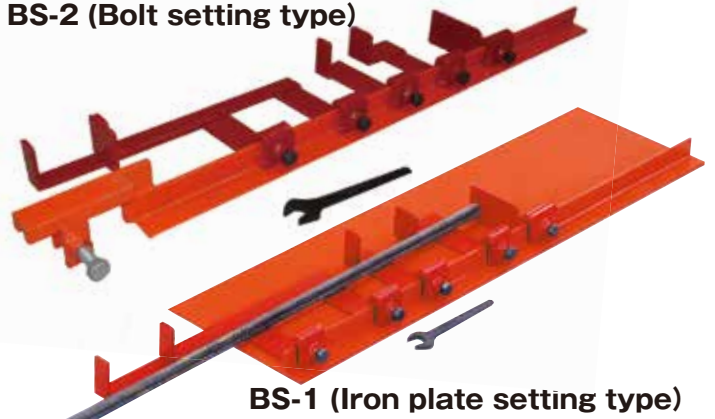


Bending Stopper

This bending stopper is easy to set up to any working stand. Effective on hoop and stirrup. Suitable for small size processing.

- Able to set in 5 sizes.
- Wrench-tightened fixing allows millimeter unit control of stopper position.
- BS-1 is fixed to wooden plate with nails, or welded to iron plate.
- BS-2 is fixed with bolt.

BS-2 (Bolt setting type)



BS-1 (Iron plate setting type)



■SPEC Bending Stopper

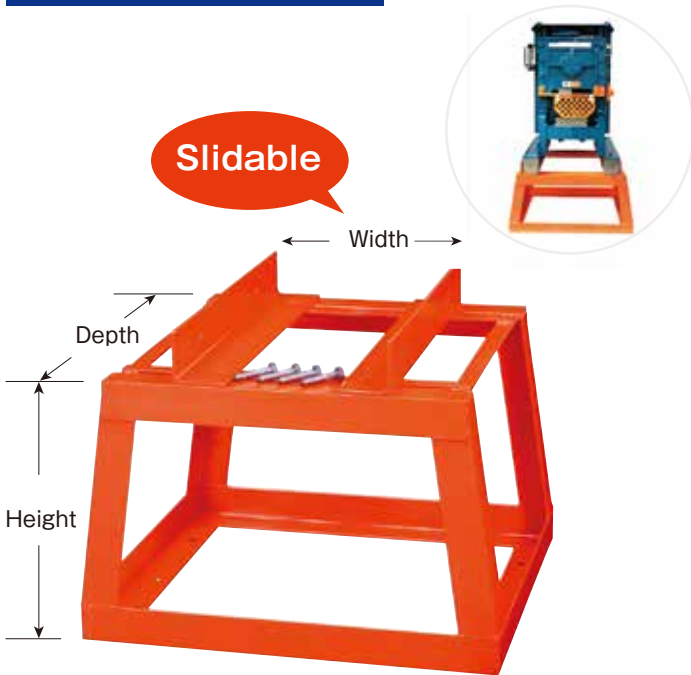
| Item No. | Size | | | Weight |
|----------|-------|--------|----------|--------|
| | Width | Height | Length | |
| BS-2 | 200mm | 65mm | 1.14m | 10kg |
| BS-1 | 300mm | 65mm | 2m(1m×2) | 25kg |

※ attachment accessory : Single open-end wrench

Cutting Machine Stand

RS-S RS-M RS-L

Slidable



■SPEC Cutting Machine Stand

| Item No. | Size | | | Weight | Max. Load | Compatible models |
|----------|---------|--------|--------|--------|-----------|-------------------|
| | Width | Depth | Height | | | |
| RS-S | 0~580mm | 680mm | 450mm | 45kg | 3000kg | C-33,C-43,MC-32 |
| RS-M | 0~680mm | 880mm | 390mm | 52kg | 3000kg | C-53,MC-41 |
| RS-L | 0~680mm | 1100mm | 330mm | 58kg | 3000kg | MC-51W |